



Features

- ★ Ratings from 10A to 120A
- ★ DC or AC control ,AC output
- ★ Load voltage of 24-280VAC,40-440VAC
- ★ LED input status indicator
- ★ SCR output for heavy industrial loads
- ★ Zero voltage or instantaneous turn-on outputs
- ★ CE & RoHS Compliant



Specification

QSSR3 -3 10 DA

ZQ type

Three-phase solid state relay

Output voltage:3:40-440VAC

Output current 10A 15A 25A 40A 60A 80A 100A 120A

DA:DC control AC

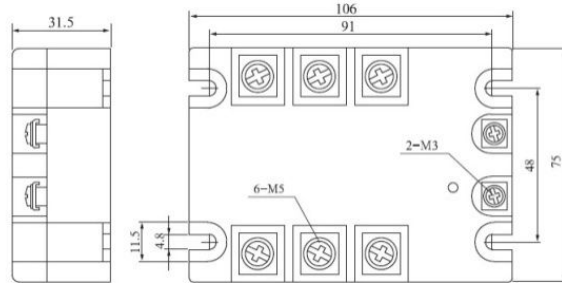
AA:AC control AC

Technical Parameter

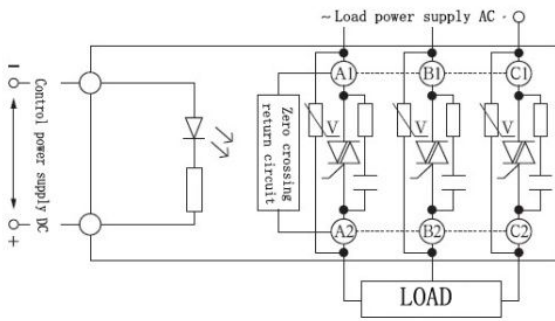
Control Voltage	DC:3-32VDC	AC:90-250VAC
Control Current	6-35mA	6-35mA
Make-on Voltage	3VDC	90VAC
Break-off Voltage	1VDC	10VAC
Reverse Voltage	32VDC	
Load Voltage	38:40-440VAC	
Load Current	10A,15A,25A,40A,60A,80A.100A,120A	
Instant Voltage	38:900VAC	
Voltage Drop in On	< 1.6VAC	
On-off Time	≤100mS	
; Leakage Current in off	≤100mA	
Dielectric Strength	≥2500VAC	
Insulation Resistance	500MΩ、500VDC	
Ambient Temp	-25℃ ~ +80℃	
Indicate Methods	LED	
Installation	Screw mount	



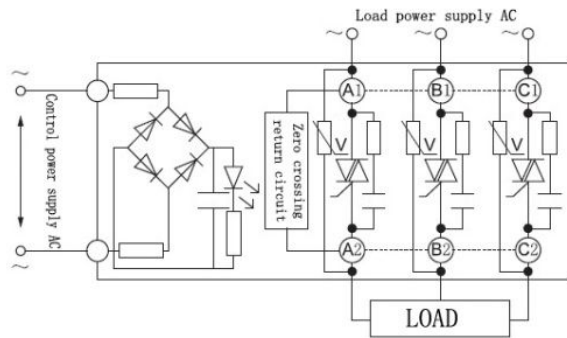
Outline dimension/ wiring diagram(mm)



DA:DC control AC



AA:AC control AC



Remark:

- 1) In case of no tolerance shown in outline dimension :
 Outline dimension 1mm ,tolerance should be $\pm 0.2\text{mm}$
 Outline dimension 1mm and 5mm ,tolerance should be $\pm 0.3\text{mm}$
 Outline dimension 5mm ,tolerance should be $\pm 0.4\text{mm}$
- 2) The tolerance without indicating for PCB layout is always $\pm 0.1\text{mm}$