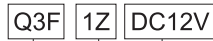


FEATURES:

- 15A switching capacity
- PC board mounting
- Size: 19x15.5x15.5mm



Q3F



Coil Voltage 5,6,9,12,18,24,48VDC
Contact Ratings 1H:1N/O 1Z:1C/O
ZHNQI Type

CONTACT RATINGS

Contact Ratings	1H/1Z
Contact Resistance	100m Ω (1A 6VDC)
Contact Material	AgCdO, AgS _n O ₂
Contact capacity	10A 250VAC,15A 30VDC

SPECIFICATION

Insulation Resistance	100M Ω 500VDC
Dielectric Strength	BCC 1500V 1 min
	BOC 750V 1 min
Operate Time	10ms/5ms
Terminal Type	PCB



Q3F(T73)

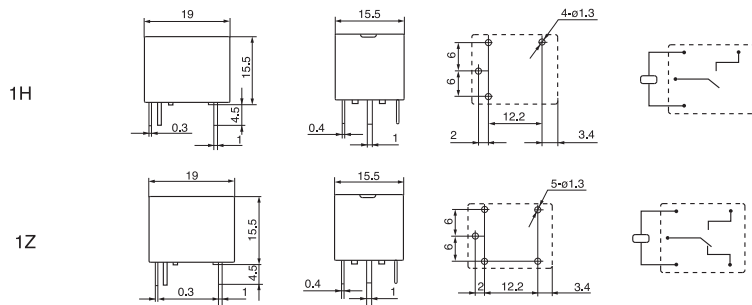
COIL RATINGS

Nominal Coil Power	0.36W/0.45W
--------------------	-------------

COIL VERSIONS

Nominal Voltage VDC	Pull-in Voltage VDC	Release Voltage VDC	Coil Resistance Ω : ±10%
3	2.25	0.3	25
5	3.8	0.5	70
6	4.5	0.6	100
9	6.8	0.9	225
12	9.0	1.2	400
18	13.5	1.8	900
24	19.0	2.4	1600
48	36.0	4.8	6400

DIMENSION.BOTTOM VIEW



REFERENCE DATA

