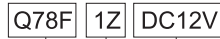


FEATURES:

- 20A switching capacity
- PC board mounting
- Size:15.4x12.1x13.7mm



Q78F



Coil Voltage 5,6,9,12,18,24,48VDC

Contact Ratings 1H:1N/O 1Z:1C/O

ZHNQI Type

CONTACT RATINGS

Contact Ratings	1H/1Z
Contact Resistance	100m Ω (1A 6VDC)
Contact Material	AgCdO, AgS _n O ₂
Contact capacity	20A 250VAC/30VDC

SPECIFICATION

Insulation Resistance	100M Ω 500VDC
Dielectric Strength	BCC 1500V 1 min
	BOC 750V 1 min
Operate Time	10ms/5ms
Terminal Type	PCB



Q78F(T78)

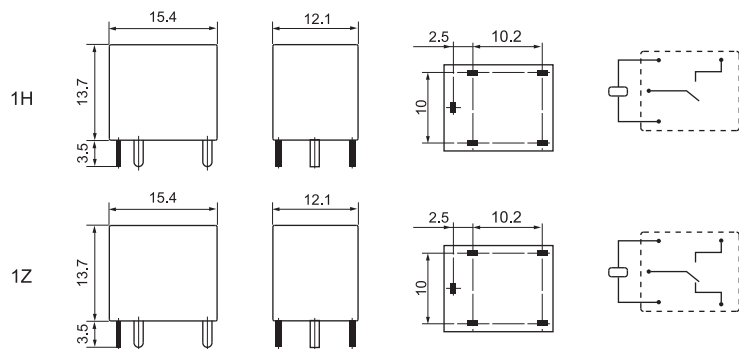
COIL RATINGS

Nominal Coil Power	0.6W/0.8W
--------------------	-----------

COIL VERSIONS

Nominal Voltage VDC	Pull-in Voltage VDC	Release Voltage VDC	Coil Resistance Ω: ±10%
6	3.9	0.6	100
9	5.85	0.9	225
12	7.8	1.2	400
24	15.6	2.4	1600

DIMENSION.BOTTOM VIEW



REFERENCE DATA

